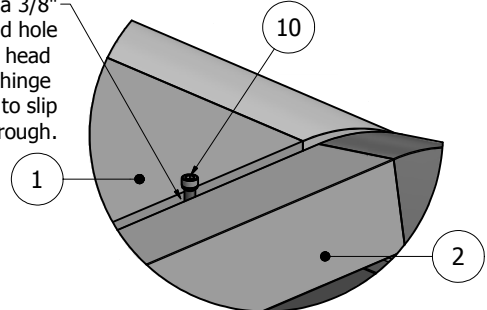
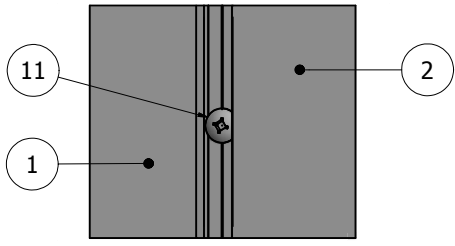
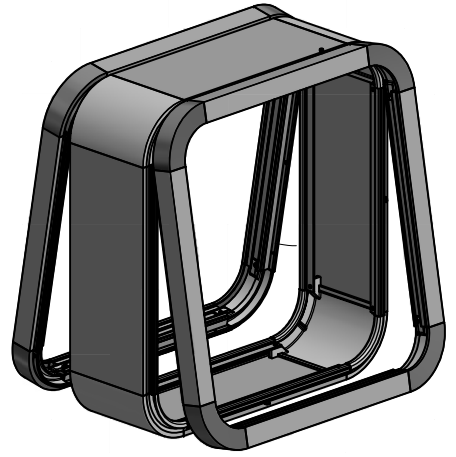


PARTS LIST			
ITEM	PART#	DESCRIPTION	NOTES
1	K2005/4150	Wide Body w/ 6in Radius Corners	Assembly
2	K2065/75/4210	Dual Frame & Cover w/ 6in Radius Corners	Assembly
10	5170	Hinge Screw	Drill 3/8" pilot hole
11	5180	Closure Screw	Drill 5/16" pilot hole

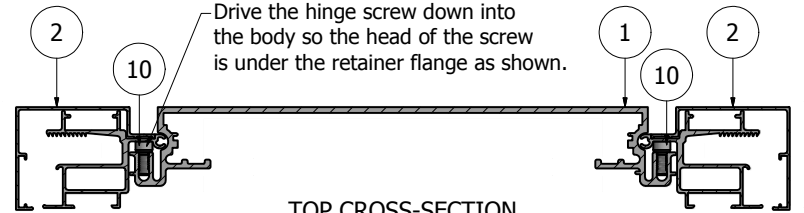
**\*NOTE:** Drill a 3/8" oversized hole for the head of the hinge screw to slip through.



DETAIL A



DETAIL B  
FRAME CLOSED



TOP CROSS-SECTION

**\*NOTE: PRE-CUT KITS ARE NOT PRE-DRILLED.**  
(Holes shown in this drawing are for reference only. Drilling of pilot holes are to be done by fabricator.)

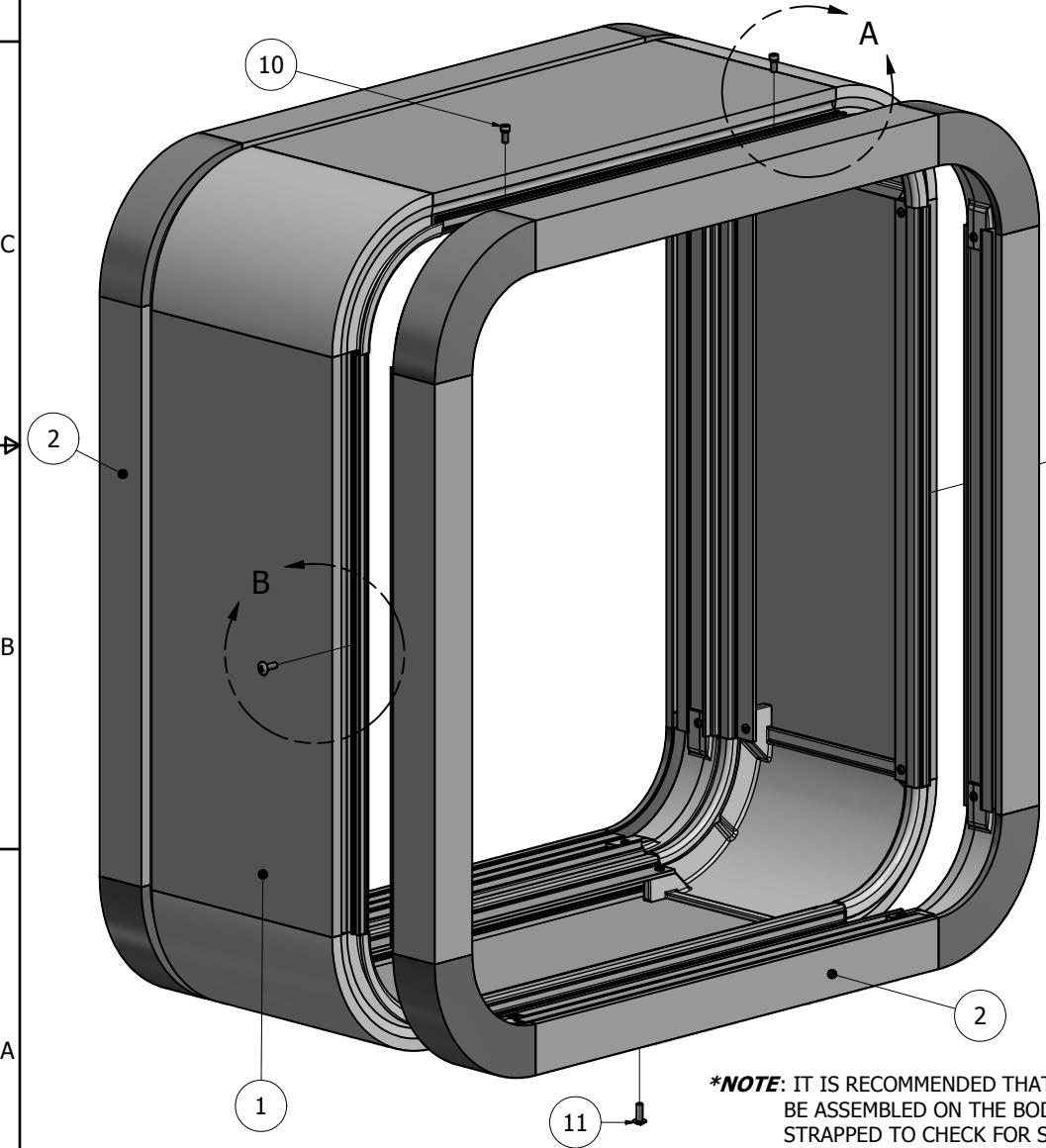
THIS DRAWING WAS CREATED AT NO CHARGE TO ASSIST YOU IN VISUALIZING OUR PROPOSAL. THE DRAWING HEREIN IS THE PROPERTY OF SIGNCOMP. PERMISSION TO COPY OR REVISE THIS DRAWING OR TO USE THIS DRAWING FOR PRODUCTION IS STRICTLY PROHIBITED AND CAN ONLY BE COPIED, REVISED OR USED FOR PRODUCTION WITH THE EXPRESSED WRITTEN PERMISSION OF SIGNCOMP.

DRAWN	SBreihof	10/24/2012
Centroid X:	0.000 in	
Centroid Y:	0.000 in	
Principal Moments Ix:	0.000 in <sup>4</sup>	
Principal Moments Iy:	0.000 in <sup>4</sup>	
Section Modulus Ix:	0.000 in <sup>3</sup>	
Section Modulus Iy:	0.000 in <sup>3</sup>	

<b>SignComp</b>	
TITLE Wide Body w/ Dual Frame & 2 1/4" Dual Frame Cover and 6in Radius Corners - Assembly	
DWG NO	<b>KWB/65/75/4515</b>
REV	

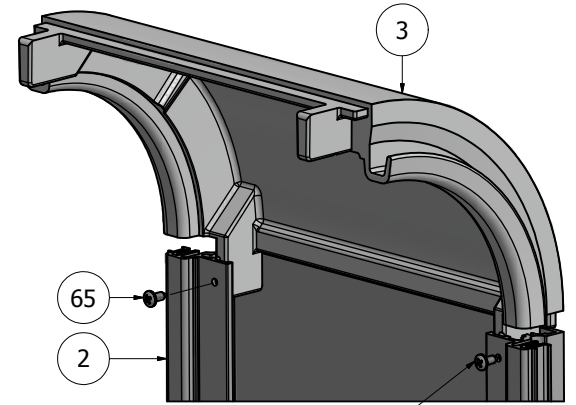
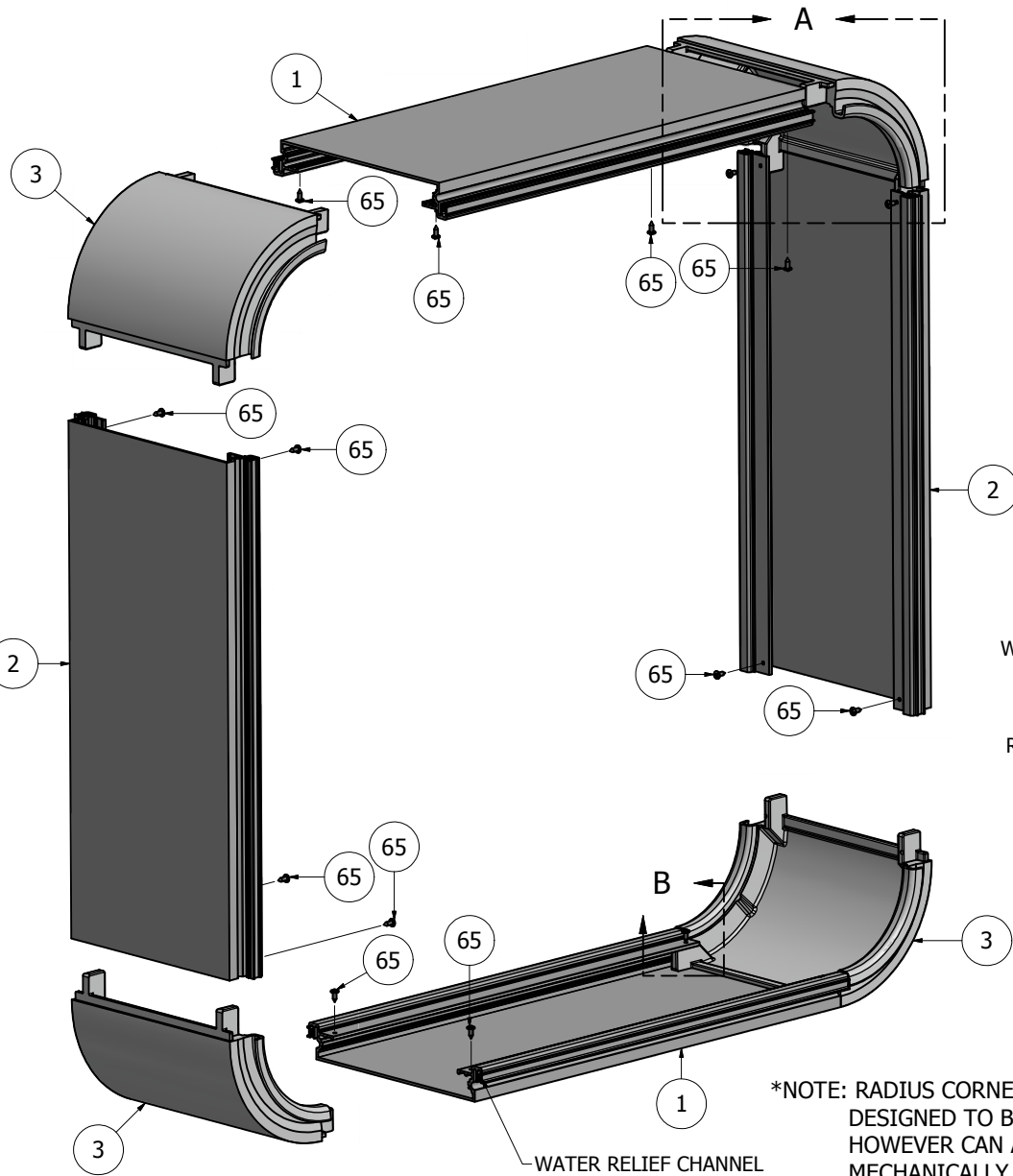
**\*NOTE:** IT IS RECOMMENDED THAT THE FRAME BE ASSEMBLED ON THE BODY, THEN RATCHET STRAPPED TO CHECK FOR SQUARE, BEFORE THE FRAME IS WELDED OR MECHANICALLY FASTENED.

Ship To:  
Sales Order#

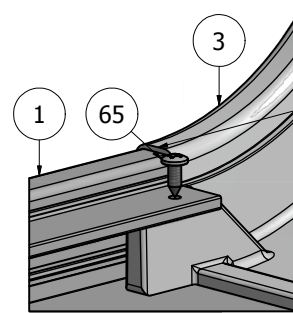


PARTS LIST			
ITEM	PART#	DESCRIPTION	NOTES
1	2005	Wide Body	Top & Bottom
2	2005	Wide Body	Sides
3	4150	Wide Body 6in Radius Corner	
65	5218	Radius Corner Screw	Drill 5/32" pilot hole

Ship To:  
Sales Order#

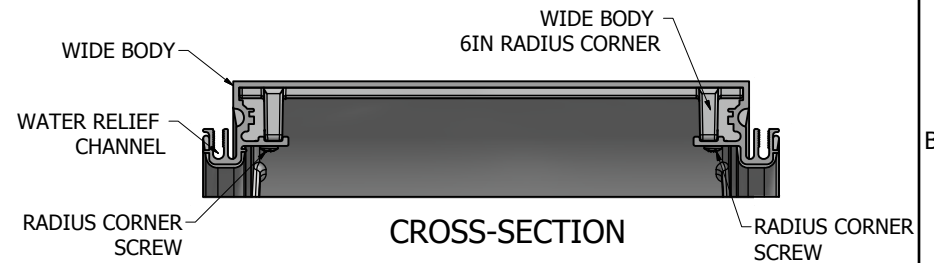


DETAIL A



DETAIL B

Caulk the joints where the Radius Diecast Corners and the Extrusion meet, yet making sure the water relief channel is not blocked, allowing the water to flow.



CROSS-SECTION

**NOTE: PRE-CUT KITS ARE NOT PRE-DRILLED.**

(Holes shown in this drawing are for reference only. Drilling of pilot holes are to be done by fabricator.)

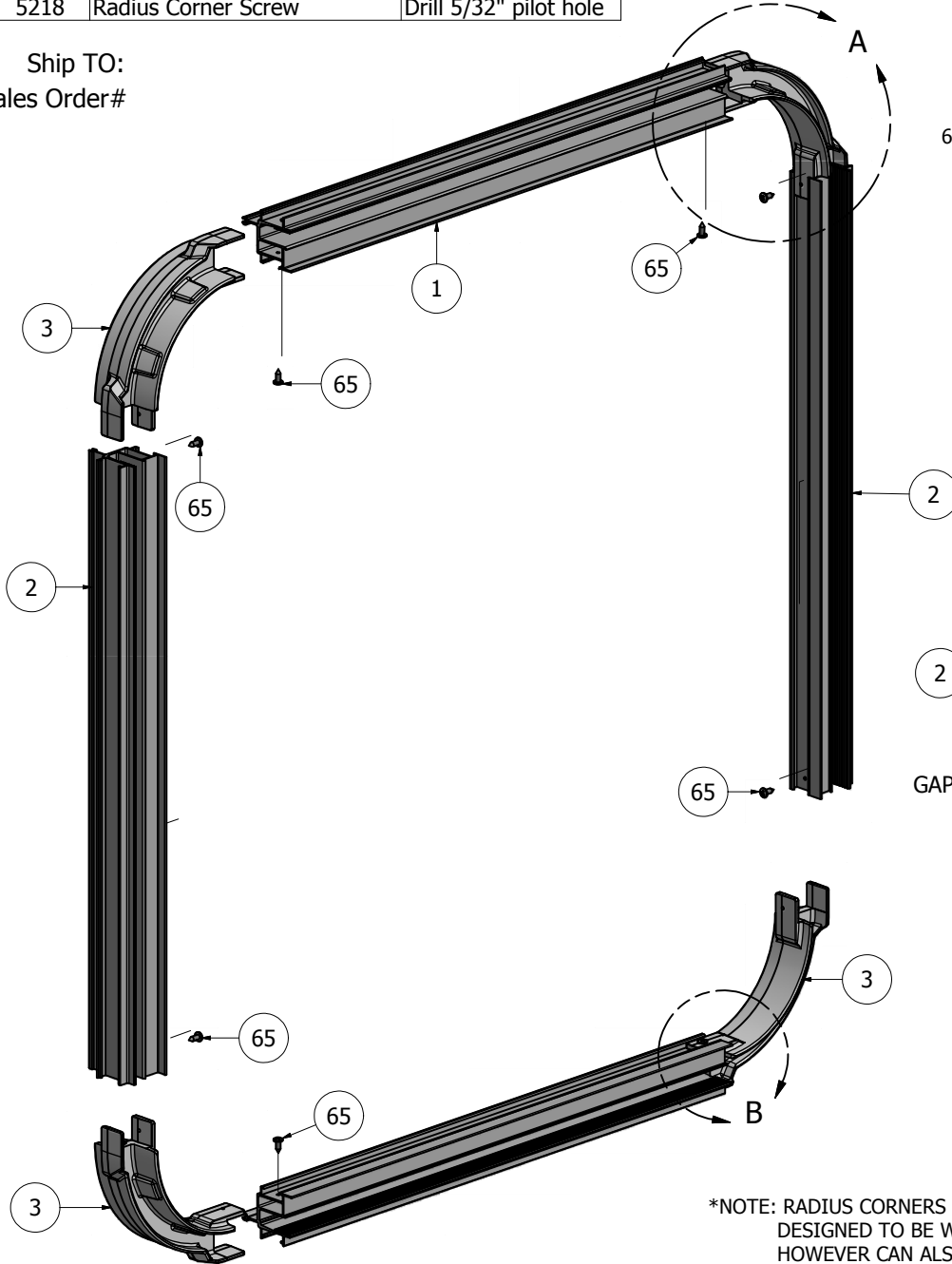
THIS DRAWING WAS CREATED AT NO CHARGE TO ASSIST YOU IN VISUALIZING OUR PROPOSAL. THE DRAWING HEREIN IS THE PROPERTY OF SIGNCOMP. PERMISSION TO COPY OR REVISE THIS DRAWING OR TO USE THIS DRAWING FOR PRODUCTION IS STRICTLY PROHIBITED AND CAN ONLY BE COPIED, REVISED OR USED FOR PRODUCTION WITH THE EXPRESSED WRITTEN PERMISSION OF SIGNCOMP.

DRAWN	SBreihof	10/23/2012	<b>SignComp</b>
Centroid X:	0.000 in	TITLE	
Centroid Y:	0.000 in	Wide Body w/ 6in Radius Corners - Assembly	
Principal Moments Ix:	0.000 in <sup>4</sup>		
Principal Moments Iy:	0.000 in <sup>4</sup>	DWG NO	REV
Section Modulus Ix:	0.000 in <sup>3</sup>	<b>KWB - 4150</b>	
Section Modulus Iy:	0.000 in <sup>3</sup>		

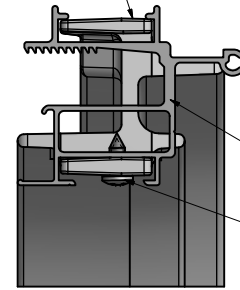
\*NOTE: RADIUS CORNERS ARE DESIGNED TO BE WELDED, HOWEVER CAN ALSO BE MECHANICALLY ASSEMBLED.

PARTS LIST			
ITEM	PART#	DESCRIPTION	NOTES
1	2065	Dual Frame	Top & Bottom
2	2065	Dual Frame	Sides
3	4210	Dual Frame 6in Radius Corner	
65	5218	Radius Corner Screw	Drill 5/32" pilot hole

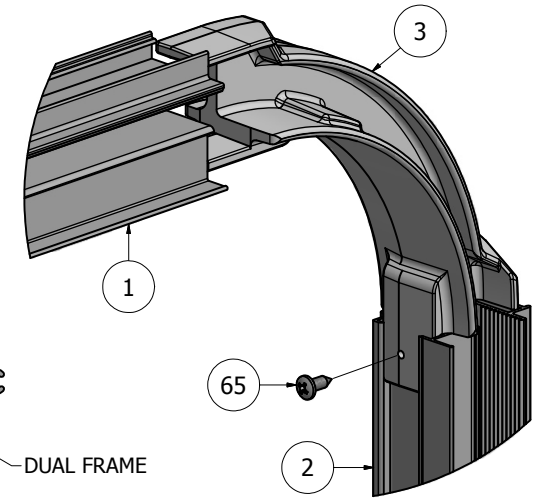
Ship TO:  
Sales Order#



6IN RADIUS CORNER

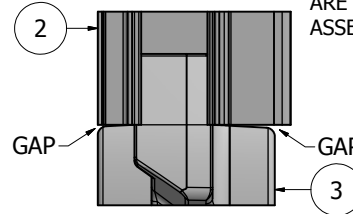


DETAIL C  
CROSS-SECTION

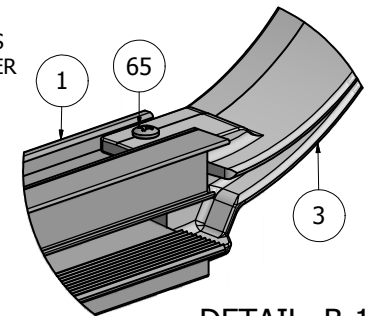


DETAIL A

\*NOTE: GAPS ON BOTH SIDES OF THE RADIUS CORNER TABS ARE REQUIRED FOR PROPER ASSEMBLY.



DETAIL B-2



DETAIL B-1

**NOTE: PRE-CUT KITS ARE NOT PRE-DRILLED.**

(Holes shown in this drawing are for reference only.  
Drilling of pilot holes are to be done by fabricator.)

\*NOTE: RADIUS CORNERS ARE DESIGNED TO BE WELDED, HOWEVER CAN ALSO BE MECHANICALLY ASSEMBLED.

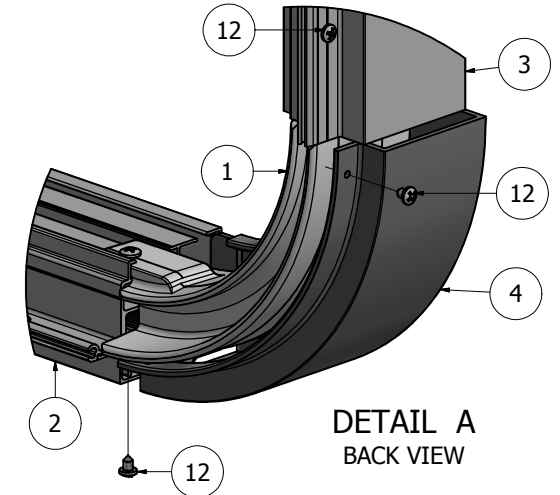
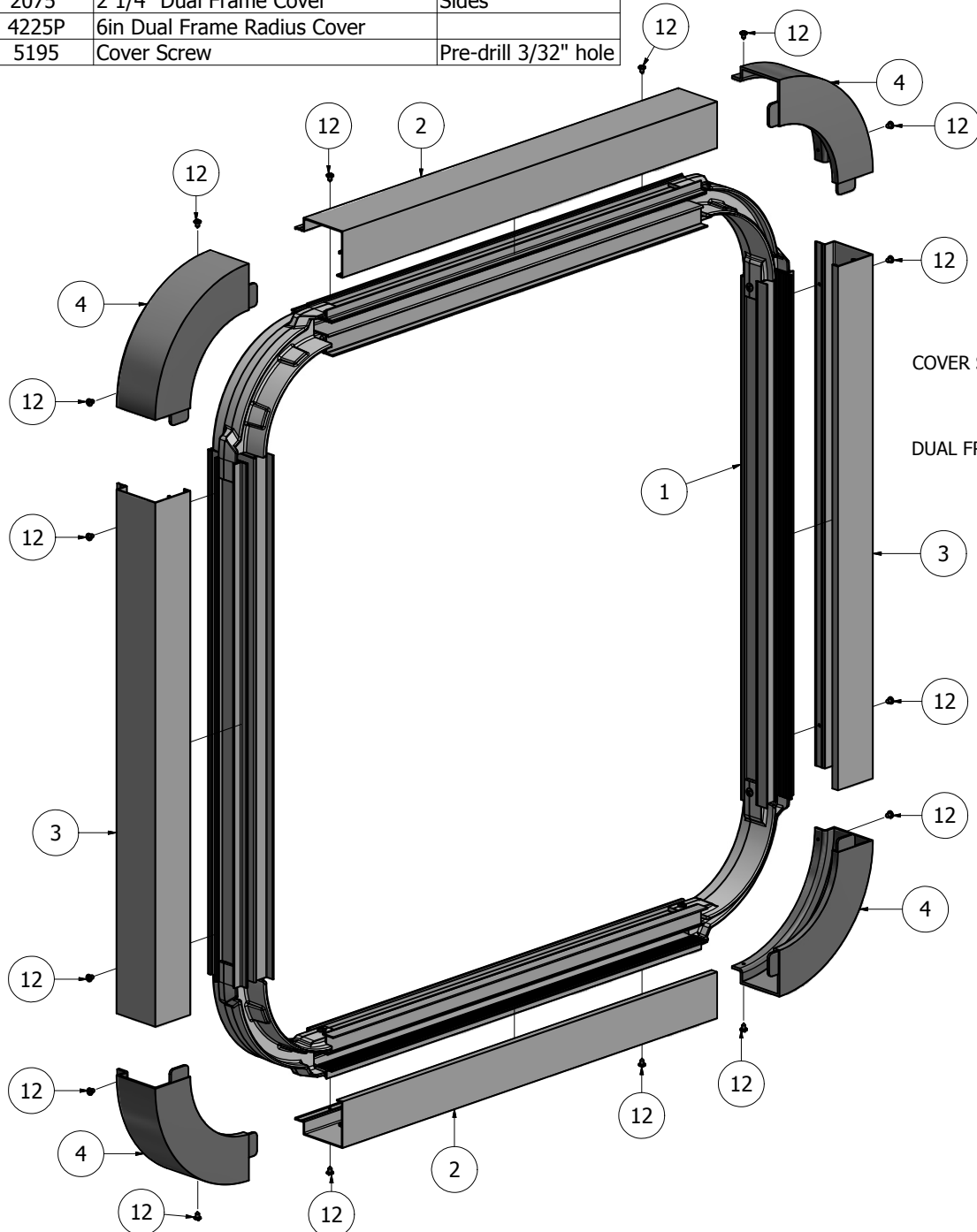
THIS DRAWING WAS CREATED AT NO CHARGE TO ASSIST YOU IN VISUALIZING OUR PROPOSAL. THE DRAWING HEREIN IS THE PROPERTY OF SIGNCOMP. PERMISSION TO COPY OR REVISE THIS DRAWING OR TO USE THIS DRAWING FOR PRODUCTION IS STRICTLY PROHIBITED AND CAN ONLY BE COPIED, REVISED OR USED FOR PRODUCTION WITH THE EXPRESSED WRITTEN PERMISSION OF SIGNCOMP.

DRAWN	SBreihof	9/5/2012	<b>SignComp</b>
Centroid X:	0.000 in	TITLE	
Centroid Y:	0.000 in	Dual Frame with 6in Radius Corner - Assembly	
Principal Moments Ix:	0.000 in <sup>4</sup>	DWG NO	REV
Principal Moments Iy:	0.000 in <sup>4</sup>	<b>2065-4210</b>	
Section Modulus Ix:	0.000 in <sup>3</sup>	SHEET 1 OF 1	
Section Modulus Iy:	0.000 in <sup>3</sup>		

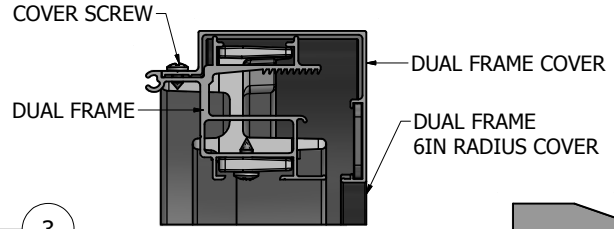
PARTS LIST			
ITEM	PART#	DESCRIPTION	NOTES
1	2065/4210	Dual Frame with 6in Radius Corners	Assembly
2	2075	2 1/4" Dual Frame Cover	Top & Bottom
3	2075	2 1/4" Dual Frame Cover	Sides
4	4225P	6in Dual Frame Radius Cover	
12	5195	Cover Screw	Pre-drill 3/32" hole

Ship To:  
Sales Order#

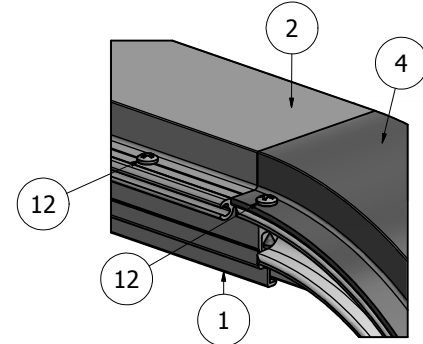
D  
C  
B  
A



DETAIL A  
BACK VIEW



DETAIL C  
CROSS-SECTION



DETAIL B  
BACK VIEW

**NOTE: PRE-CUT KITS ARE NOT PRE-DRILLED.**  
(Holes shown in this drawing are for reference only.  
Drilling of pilot holes are to be done by fabricator.)

THIS DRAWING WAS CREATED AT NO CHARGE TO ASSIST YOU IN VISUALIZING OUR PROPOSAL. THE DRAWING HEREIN IS THE PROPERTY OF SIGNCOMP. PERMISSION TO COPY OR REVISE THIS DRAWING OR TO USE THIS DRAWING FOR PRODUCTION IS STRICTLY PROHIBITED AND CAN ONLY BE COPIED, REVISED OR USED FOR PRODUCTION WITH THE EXPRESSED WRITTEN PERMISSION OF SIGNCOMP.

DRAWN	SBreihof	9/5/2012	<b>SignComp</b>
Centroid X:	0.000 in	TITLE	
Centroid Y:	0.000 in	Dual Frame and 2 1/4" Dual Frame Cover w/ 6in Radius Corner Cover - Assembly	
Principal Moments Ix:	0.000 in <sup>4</sup>	DWG NO	<b>K2065-75-4225P</b>
Principal Moments Iy:	0.000 in <sup>4</sup>	REV	
Section Modulus Ix:	0.000 in <sup>3</sup>	SHEET 1 OF 1	
Section Modulus Iy:	0.000 in <sup>3</sup>		

D  
C  
B  
A

4 3 2 1